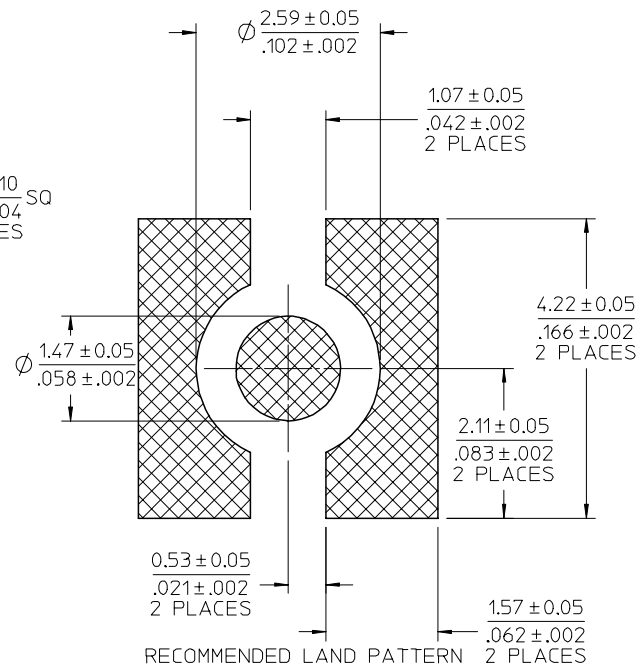
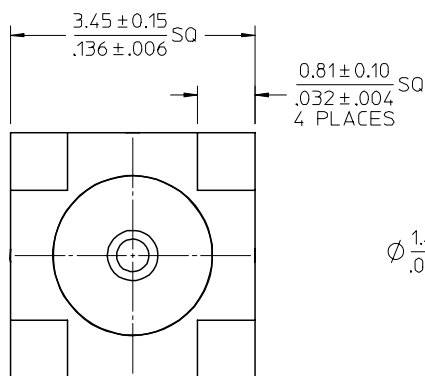
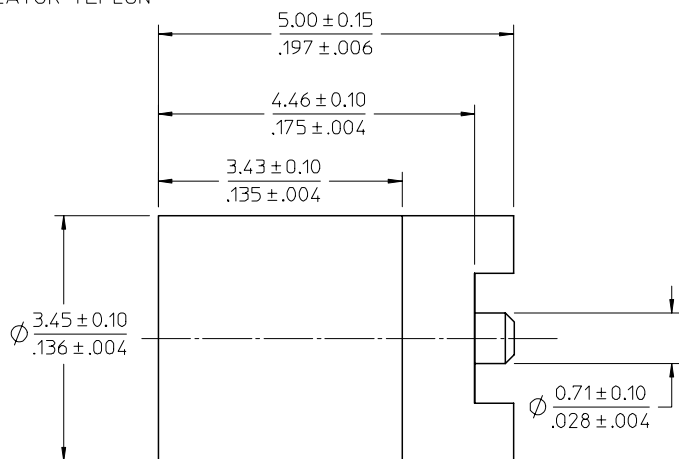
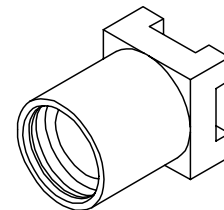


MATERIALS AND FINISHES

BODY BRASS  
PLATED GOLD

CENTER CONTACT BERYLLIUM COPPER  
PLATED GOLD

INSULATOR TEFLON



RECOMMENDED LAND PATTERN

73415-2064	73415-2061. ONE PER BAG
73415-2063	73415-2061 WITH TAPE & REEL
73415-2062	73415-2060 WITH TAPE & REEL
73415-2061	PER COMMERCIAL REQUIREMENTS
73415-2060	PER MILITARY REQUIREMENTS
PART NO.	PLATING

ES-73599-0000-0160	INTERFACE
PS-89675-1910	ELECTRO/MECH PERFORM.
SPECIFICATION	DESCRIPTION

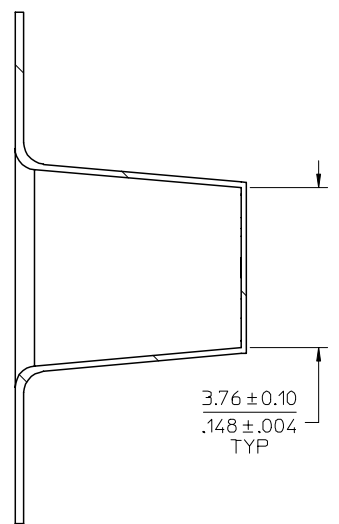
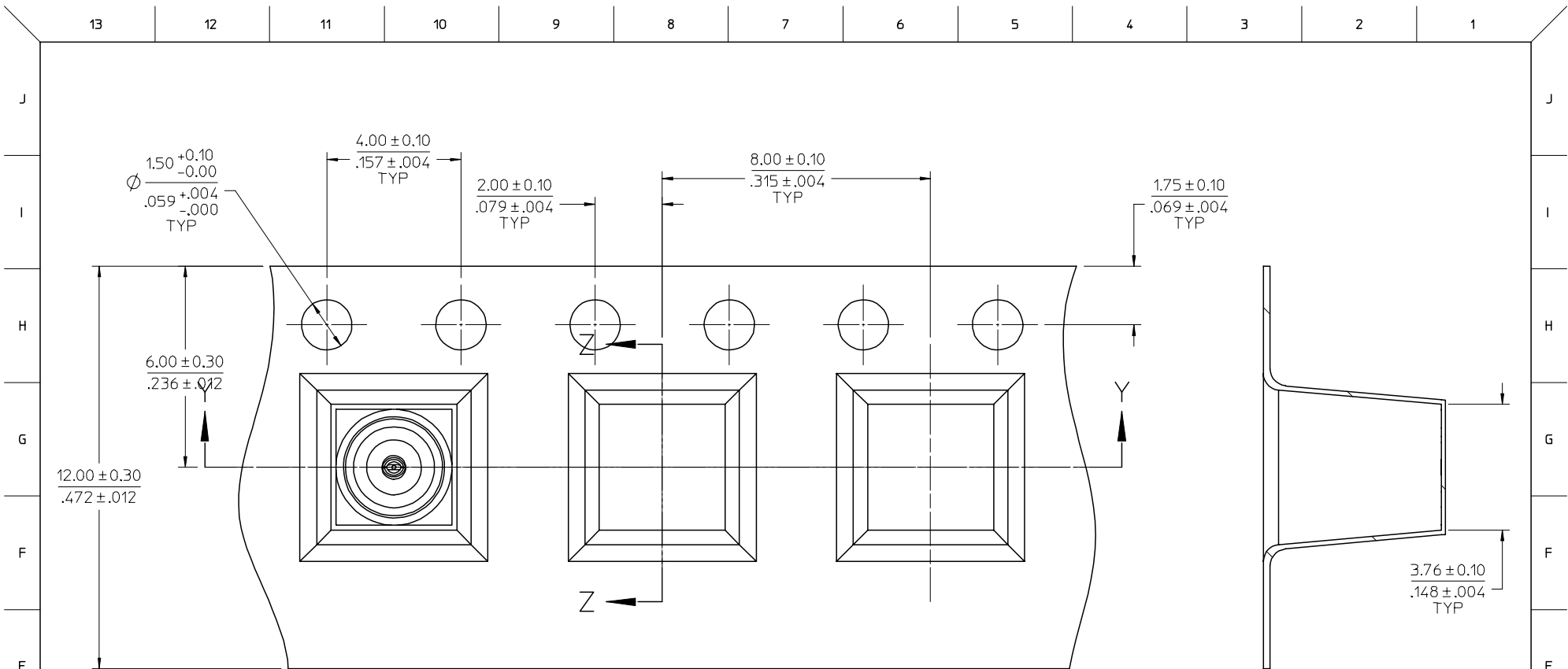
CHG: MODIFIED TOLERANCES  
 EC NO: URF2007-0543 2007/06/28  
 DRAWN: CHANOS 2007/06/28  
 CHKD: 2007/06/29  
 APPR: MLIANG 2007/06/29  
 REV: A4

QUALITY SYMBOLS  
 ▽=0  
 ▽=0

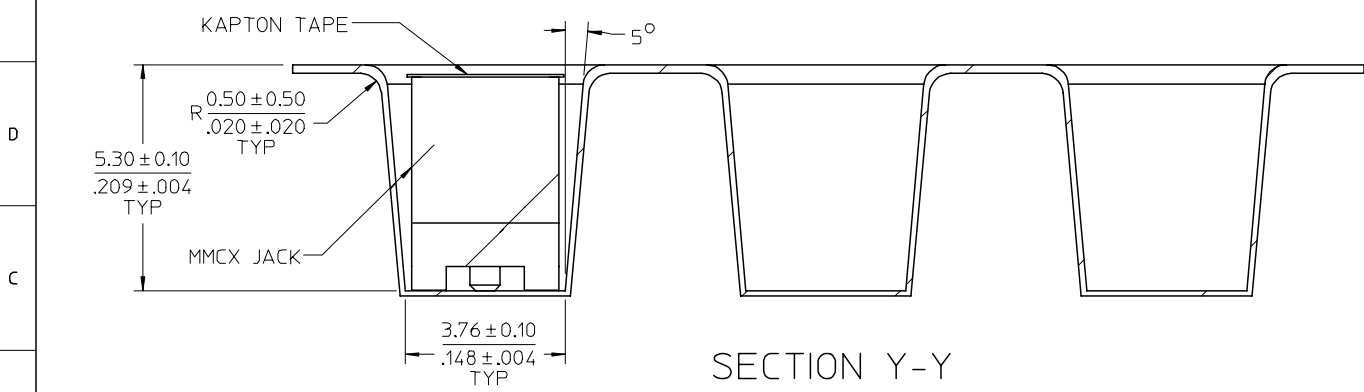
GENERAL TOLERANCES (UNLESS SPECIFIED)  
 4 PLACES ± --- ± ---  
 3 PLACES ± --- ± ---  
 2 PLACES ± --- ± ---  
 1 PLACE ± --- ± ---  
 ANGULAR ± 2 °  
 DRAFT WHERE APPLICABLE MUST REMAIN WITHIN DIMENSIONS

DIMENSION STYLE MM/IN  
 DRAWN BY TEF DATE 2000/04/18  
 CHECKED BY SSS DATE 2000/04/18  
 APPROVED BY GMH DATE 2000/04/18  
 MATERIAL NO. SEE TABLE

SCALE DESIGN UNITS METRIC  
 THIRD ANGLE PROJECTION  
 TITLE MMCX JACK, VERTICAL PCB/SMT 50 OHMS MMCX-J/PCB  
 MOLEX INCORPORATED  
 DOCUMENT NO. SD-73415-206 SHEET NO. 1 OF 2



SECTION Z-Z



SECTION Y-Y

A	B	C	D	E	F	G	H	I	J	1	2	3	4	5	6	7	8	9	10	11	12	13	CHG: SEE SHEET 1 EC NO: URF2007-0543 DRAWN: CHANOS 2007/06/28 CHKD: 2007/06/29 APPR: MJIANG 2007/06/29 REV: A4	QUALITY SYMBOLS $\nabla=0$ $\nabla=0$	GENERAL TOLERANCES (UNLESS SPECIFIED) <table border="1"> <tr> <th></th> <th>mm</th> <th>INCH</th> </tr> <tr> <td>4 PLACES</td> <td>± .004</td> <td>± .001</td> </tr> <tr> <td>3 PLACES</td> <td>± .003</td> <td>± .001</td> </tr> <tr> <td>2 PLACES</td> <td>± .002</td> <td>± .001</td> </tr> <tr> <td>1 PLACE</td> <td>± .001</td> <td>± .001</td> </tr> </table>		mm	INCH	4 PLACES	± .004	± .001	3 PLACES	± .003	± .001	2 PLACES	± .002	± .001	1 PLACE	± .001	± .001	DIMENSION STYLE MM/IN	SCALE DESIGN UNITS METRIC	THIRD ANGLE PROJECTION
																								mm	INCH																		
4 PLACES	± .004	± .001																																									
3 PLACES	± .003	± .001																																									
2 PLACES	± .002	± .001																																									
1 PLACE	± .001	± .001																																									
DRAFT WHERE APPLICABLE MUST REMAIN WITHIN DIMENSIONS	MATERIAL NO. SEE SHEET 1	DATE 2000/04/18 DATE 2000/04/18 DATE 2000/04/18	TITLE MMCX JACK, VERTICAL PCB/SMT 50 OHMS MMCX-J/PCB	MOLEX INCORPORATED	SHEET NO. 2 OF 2																																						